

depend-o



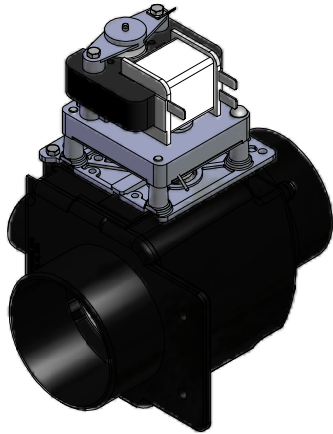
drain

Manufacturers of Plastic Valves and Custom Injection Molded Products

6012 33rd Street East
 Bradenton, FL 34203-5402 USA
 Ph: (01) 941-756-1710 Fax: (01) 941-758-9178
 www.dependodrain.com E-mail: info@dependodrain.com



DEPEND-O-DRAIN
 REGISTERED TO ISO
 9001:2008 CERTIFICATE NO.
 10001170 QM08

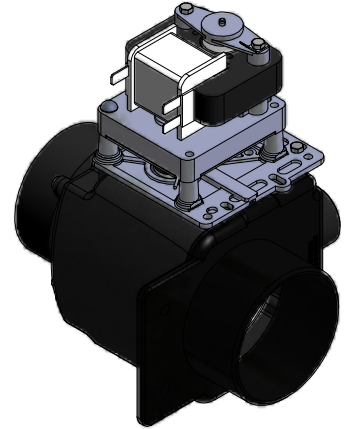


LEFT SIDE MOTOR

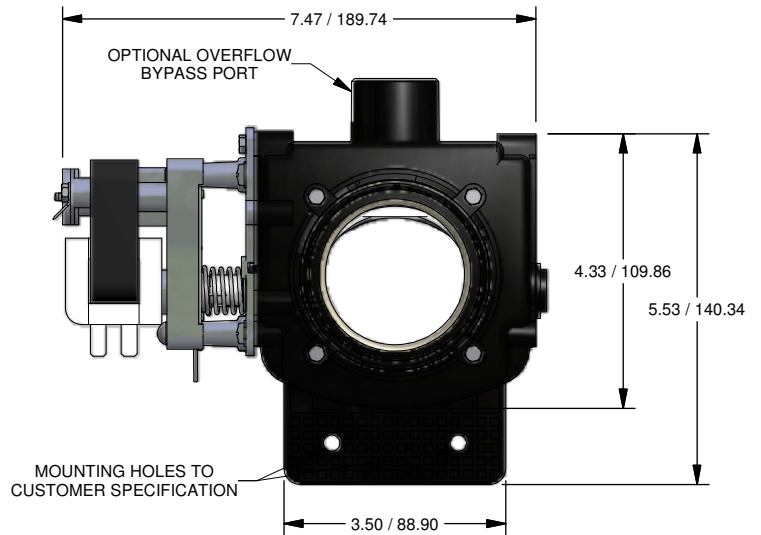
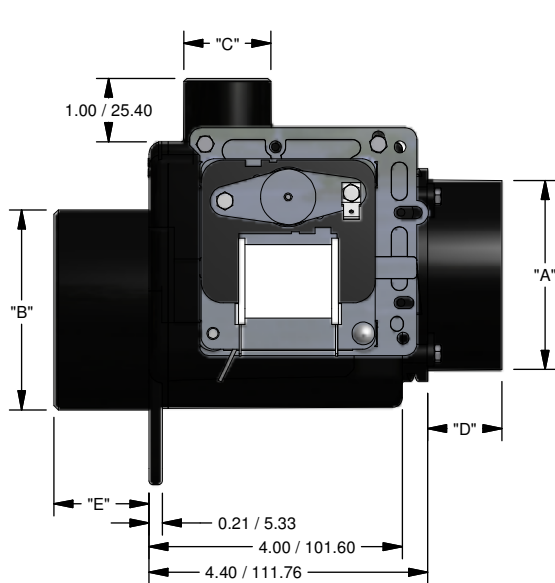
MODEL MDB-3 **WITH AC MOTOR**

Optional Features:

- Motor cycles (50 Hz, 60 Hz)
- Optional overflow bypass port
- Normally open or normally closed
- Wire leads or terminals on the motor
- Three different motor cover/protectors
- Replaceable Inlet seal
- Updated valve housing color
- Motor voltage (24 VAC, 115 VAC, 230 VAC)
- Motor orientation (left or right side of valve housing)



RIGHT SIDE MOTOR



RoHS COMPLIANT

Available Inlets* "A" x "D" (O.D. x Length) inches	Available Outlets* "B" x "E" (O.D. x Length) inches metric		Available Optional Overflow Port* "C" (O.D. x Length) inches
3" x 1.9" 3" x 1.2" 3" x 0.2"	3.15" x 1.5"	56mm x 25.4mm	1-1/2" x 1" 1-3/8" x 1"

* Customized sizes available on request